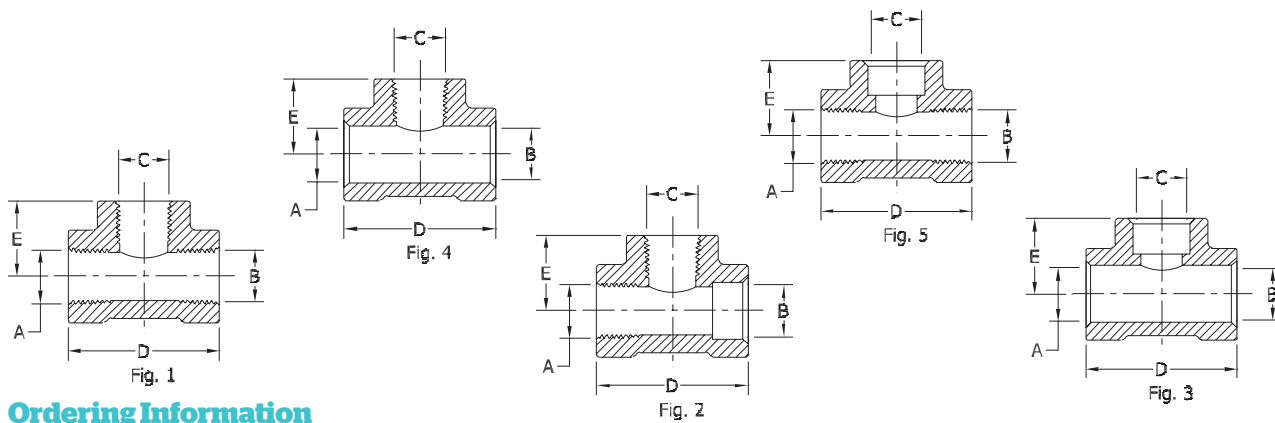


# Brass Tees

REGO  
**10**  
YEAR  
WARRANTY



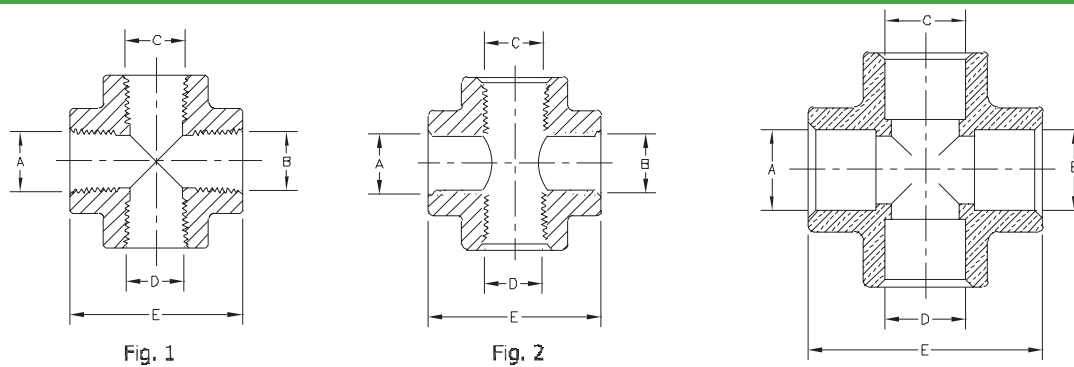
## Ordering Information

| Part Number | Figure | A (Female)  |       | B (Female)  |       | C (Female)  |       | D (Ref.) |    | E (Ref.) |    | Working Pressure psig* |
|-------------|--------|-------------|-------|-------------|-------|-------------|-------|----------|----|----------|----|------------------------|
|             |        | Inches      | mm    | Inches      | mm    | Inches      | mm    | Inches   | mm | Inches   | mm |                        |
| 1227-1      | 1      | ½" NPT      | 13    | ½" NPT      | 13    | ½" NPT      | 13    | 2¼"      | 57 | 1⅝"      | 29 | 3750 psig (258.7 barg) |
| HP1227-1    |        | ¾" NPT      | 19    | ¾" NPT      | 19    | ¾" NPT      | 19    | 3"       | 76 | 1½"      | 38 | 4500 psig (310.5 barg) |
| 1042-20     |        |             |       |             |       |             |       | 1042     |    |          |    |                        |
| 1227-3      | 2      | ½" NPT      | 13    | .843-.847   | 21-22 | ½" NPT      | 13    | 2¼"      | 57 | 1⅝"      | 29 | 3750 psig (258.7 barg) |
| HP1227-3    |        | ¾" NPT      | 19    | 1.053-1.057 | 27    | ¾" NPT      | 19    | 3"       | 76 | 1½"      | 38 | 4500 psig (310.5 barg) |
| 4608-5      |        |             |       |             |       |             |       |          |    |          |    |                        |
| 1227-28     | 3      | .843-.847   | 21-22 | .843-.847   | 21-22 | .843-.847   | 21-22 | 2¼"      | 57 | 1⅝"      | 29 | 3750 psig (258.7 barg) |
| HP1227-28   |        | 1.053-1.057 | 27    | 1.053-1.057 | 27    | 1.053-1.057 | 27    | 3"       | 76 | 1½"      | 38 | 4500 psig (310.5 barg) |
| 2118-2      |        |             |       |             |       |             |       |          |    |          |    |                        |
| 1227-9      | 4      | .843-.847   | 21-22 | .843-.847   | 21-22 | ½" NPT      | 13    | 2¼"      | 57 | 1⅝"      | 29 | 3750 psig (258.7 barg) |
| HP1227-9    |        | 1.053-1.057 | 27    | 1.053-1.057 | 27    | ¾" NPT      | 19    | 3"       | 76 | 1½"      | 38 | 4500 psig (310.5 barg) |
| 2223-3      |        |             |       |             |       |             |       |          |    |          |    |                        |
| HP1227-5    | 5      | ½" NPT      | 13    | ½" NPT      | 13    | .843-.847   |       |          |    |          |    |                        |

\*Safety factor = 4:1

# Brass Crosses

REGO  
**10**  
YEAR  
WARRANTY



## Ordering Information

| Part Number | Figure | A (Female)  |       | B (Female)  |       | C (Female)  |       | D (Female)  |       | E (Ref.) |    | Working Pressure*      |
|-------------|--------|-------------|-------|-------------|-------|-------------|-------|-------------|-------|----------|----|------------------------|
|             |        | Inches      | mm    | Inches      | mm    | Inches      | mm    | Inches      | mm    | Inches   | mm |                        |
| 1225-1      | 1      | ½" NPT      | 13    | ½" NPT      | 13    | ½" NPT      | 13    | ½" NPT      | 13    | 2¼"      | 57 | 3750 psig (258.7 barg) |
| HP1225-1    |        | ¾" NPT      | 19    | ¾" NPT      | 19    | ¾" NPT      | 19    | ¾" NPT      | 19    | 3"       | 76 | 4500 psig (310.5 barg) |
| 1045        |        |             |       |             |       |             |       |             |       |          |    |                        |
| 1225-3      | 2      | .843-.847   | 21-22 | .843-.847   | 21-22 | ½" NPT      | 13    | ½" NPT      | 13    | 2¼"      | 57 | 3750 psig (258.7 barg) |
| HP1225-3    |        | 1.053-1.057 | 27    | 1.053-1.057 | 27    | ¾" NPT      | 19    | ¾" NPT      | 19    | 3"       | 76 | 4500 psig (310.5 barg) |
| 2222-2      |        |             |       |             |       |             |       |             |       |          |    |                        |
| HP1225-4    | 3      | .843-.847   | 21-22 | .843-.847   | 21-22 | .843-.847   | 21-22 | .843-.847   | 21-22 | 3"       | 76 | 4500 psig (310.5 barg) |
| 2222-4      |        | 1.053-1.057 | 27    | 1.053-1.057 | 27    | 1.053-1.057 | 27    | 1.053-1.057 | 27    |          |    |                        |

\*Safety factor = 4:1