

# Threaded Internal Valves For Bobtail Delivery Trucks, Transports and Stationary Storage Tanks A3212 Series

## Application

Designed primarily for use with LP-Gas and anhydrous ammonia for liquid withdrawal; vapor transfer or vapor equalization of bobtail delivery trucks, transports, stationary storage tanks, and in-line installations. The valve may be operated manually by cable or pneumatically.

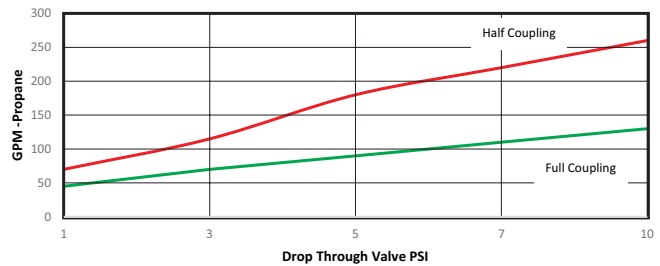
## Features

- May be installed in full and half couplings.
- Nylon bearing supported operating shaft provides smooth, easy operation.
- Simple operating lever facilitates easy adaptation of all cable controls.
- Midway stem position allows for quicker pressure equalization.
- All critical operating components are located in the valve body inside the container coupling for maximum protection against physical damage.
- Built-in excess flow valve.
- Return spring returns the valve to the closed position when the handle is released.
- Specify RegO Internal Valves on your next new tank body or when your tank is rebuilt.
- A3213PA pneumatic actuator provides a convenient means of opening and closing the valve from a remote location, using either air or nitrogen for both the A3212R & A3213A service valves.

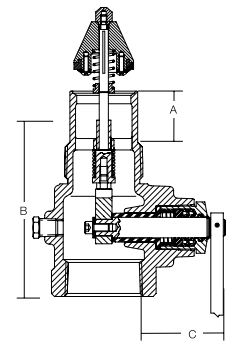
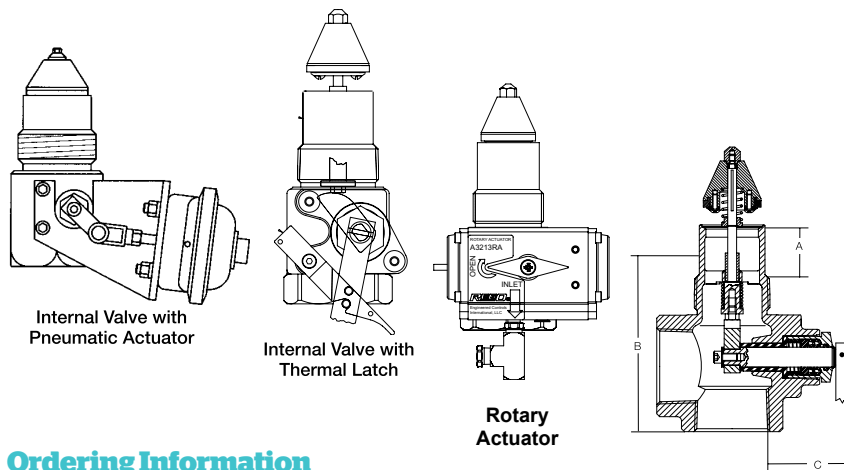
## Materials

Body ..... Ductile Iron  
 Operating Lever..... Cadmium Plated Steel  
 Stem ..... Stainless Steel  
 Springs ..... Stainless Steel  
 Seat Disc ..... Resilient Synthetic Rubber  
 Shaft Bearing..... Nylon

## A3212R Series



A3212R Series



## Ordering Information

Part Number	Inlet Connection M. NPT	Outlet Connection F. NPT	Closing Flow (GPM) Half Coupling		Closing Flow (GPM) Full Coupling		A	B	C	Accessories			
			LP-Gas	NH3	LP-Gas	NH3				Thermal Latch	Pneumatic Actuator	Rotary Actuator	Electric Actuator
A3212R 105	2"	2"	105	95	65	59	1 9/16"	4 11/16"	3 45/64"	A3213TL	*A3213PA	A3212RA	A3212EA
A3212R T105		2" T-body											
A3212R 175		2"											
A3212R T175		2" T-body											
A3212R 250		2"											
A3212R T250		2" T-body											

\* For the old A3212A Series please use the A3212PA Pneumatic Actuator