

Sight Flow Indicators for Bulk Plants A7794 and A7796

Application

Designed to promote maximum pump efficiency, these indicators enable bulk plant operators to visually inspect liquid flow conditions. With glass on both sides of the indicator, flow can be observed from either side, even under some poor light conditions. The integral swing check also serves as a back-check valve to prevent reverse flow and product loss if the hose fails in a loading operation.

By installing an indicator on the upstream side of the plant pump, suction conditions can be observed and the pump speed adjusted to obtain the maximum possible flow rate without cavitation. Additionally, if an indicator is installed in the piping at the loading rack, just ahead of the loading hose, the operator can maintain a constant check on pump conditions.

Both installations are designed to allow for observation to provide maximum pump efficiency and ensure safe plant pump operation.

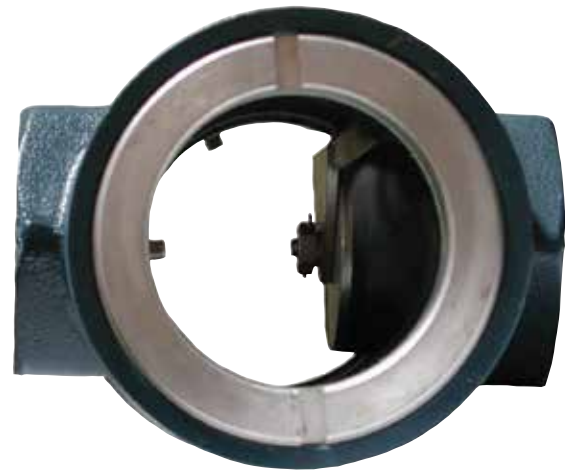
In compressor operations a sight flow indicator installed in the liquid line will give a visual indication when the tank car or transport is emptied. Compressor operation can then be immediately reversed to start recovery of the vapor.

Features

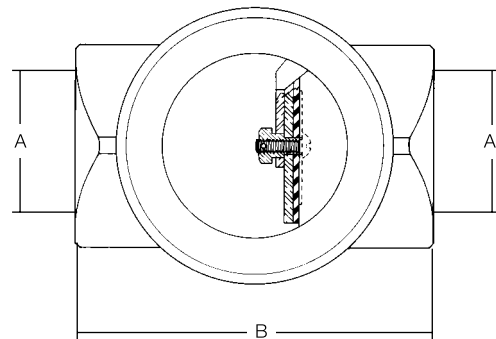
- Durable ductile iron body ensures long, trouble-free operation with design working pressure of 400 PSIG.
- Glass is polished, ground and tempered after fabrication for maximum strength up to 2,500 PSIG.
- Set screws minimize loosening of glass retainer rings.
- O-ring glass seals provide for leak-tight operation.

Materials

Body Ductile Iron
 Swing Check..... Stainless Steel
 Check Seat Disc..... Resilient Synthetic Rubber
 Glass Polished, Ground, Tempered and tested to 2,500 PSIG



A7794



Ordering Information

Part Number	A Inlet/Outlet Connections	B Length
A7794	2" F. NPT	5 1/4"
A7796	3" F. NPT	7 3/8"