

# Service Valves for ASME Motor Fuel Containers 901C, 9101H, and 9101Y Series

## Application

Designed specifically for vapor or liquid withdrawal service on ASME motor fuel containers. Since none of these valves have an integral pressure relief valve, they may only be used as an accessory valve on containers that have an independent pressure relief valve sufficient for that container's capacity.

The integral excess flow valve found in all these service valves helps prevent excessive product loss in the event of fuel line rupture.

When installed for liquid withdrawal, the 9101H6 has provisions for attachment of a liquid withdrawal tube. All other valves must be installed in containers that have provisions for a separate liquid withdrawal.

To ensure proper functioning and maximum protection from integral excess flow valves, these service valves should be fully opened and backseated when in use.

## Features

- Incorporates integral excess flow valve and shut-off valve in one unit.
- Double lead thread provides faster opening and closing.
- O-Ring stem seal design provides positive seal.
- Tapered and confined seat disc provides positive shut off.
- Metal-to-metal back seat provides added protection against leakage while the valve is open.
- 9101H6 equipped with a 1/4" NPT internal thread for the addition of a liquid withdrawal tube.
- 9101Y Series features a 60° angled outlet connection to facilitate easier and simpler fuel line make-up.

## Materials

Body ..... Forged Brass  
 Handwheel..... Aluminum Die Cast  
 Stem ..... Brass  
 O-Rings ..... Resilient Synthetic Rubber  
 Seat Disc ..... Nylon

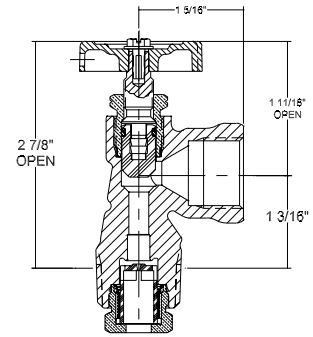
## Ordering Information

Part Number	Container Connection	Service Connection	Liquid Withdrawal Connection	Closing Flow (LP-Gas)		
				Vapor		Liquid GPM
				25 PSIG Inlet (SCFH)	100 PSIG Inlet (SCFH)	
901C3	3/4" M. NGT	F. POL CGA 510	None	350***	605***	1.5***
901C5				550***	1050***	2.6***
9101H3		3/8" SAE Flare		430**	800**	1.5**
9101H5*				765**	1300**	3.6**
9101H6*		1/4" NPT		550****	1050****	2.6****
9101Y5H*		60° Angle 3/8" SAE Flare		None	765**	1300**

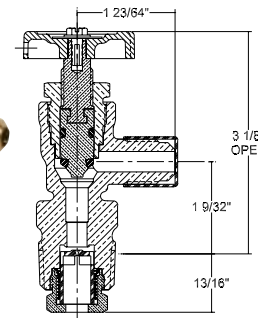
\* Heavy-duty models  
 \*\* Based on 3/8" O.D. pigtail, 20" long or less, connected to valve outlet. For greater lengths, the pigtail must have a larger O.D.  
 \*\*\* Same as (\*\*). In addition, 1/4" O.D. pigtails or POL connections for 1/4" O.D. should not be used with this valve.  
 \*\*\*\* Based on 3/8" O.D. pigtail; 20" long or less, connected to valve outlet. Also based on 1/4" pipe size dip tube, 42" long or less, attached to special inlet connection. For longer pigtail lengths, the diameter of the pigtail must be increased.  
 NOTE: These valves incorporate an excess flow valve. Refer to L-500/Section F, for complete information regarding selection, operation and testing of excess flow valves.



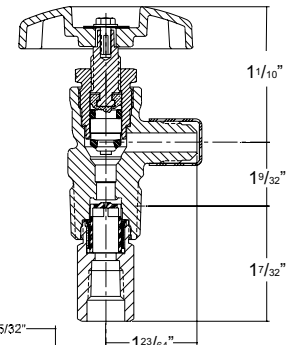
901C5



9101H5



9101H6



9101Y5H

